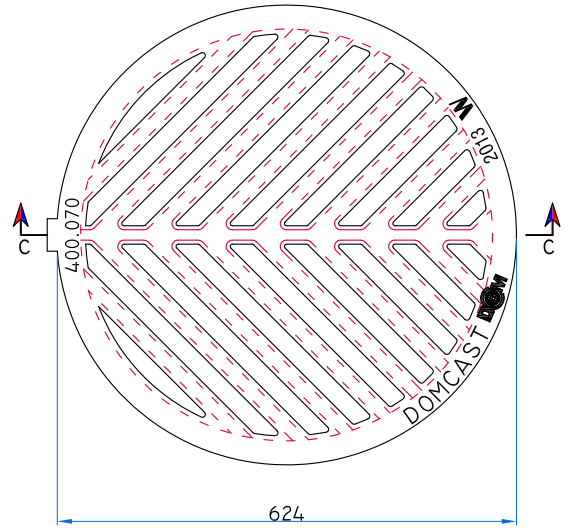
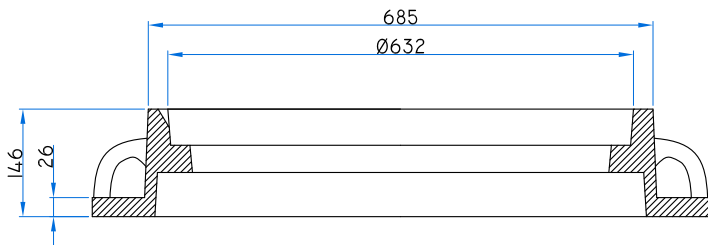


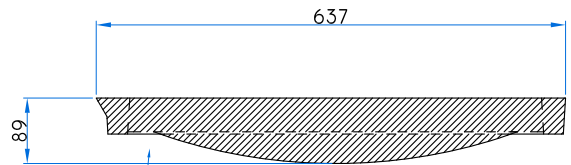
FRAME PLAN



GRATE PLAN




SECTION A-A



SECTION C-C

DCM LOGO & DOMCAST,
YYYY / MM / DD UNDERSIDE.



REVISION	DATE	SIGN	ALL DIMENSIONS ARE IN MM	SCALE : N.T.S.
REV.[0] :			MATERIAL : GREY CAST IRON	
REV.[1] :			GRADE : ASTM A48 CLASS 30B	
REV.[2] :			COATING : BLACK BITUMEN PAINTED (LEAD FREE)	
REV.[3] :			LOADING :	
REV.[4] :			WEIGHT : 196 KG/SET (APPRX.) FRAME-126 KG ; COVER-70	
DRAWN BY :	CHECKED BY :	APPROVED BY :		
 DomCast Components & Assemblies, CANADA			ITEM DESCRIPTION : CAST IRON, RAISED SQUARE FRAME WITH CIRCULAR FLAT GRATE FOR CATCH BASINS, HERRING BONE OPENINGS.	DRAWING NO : 400.070