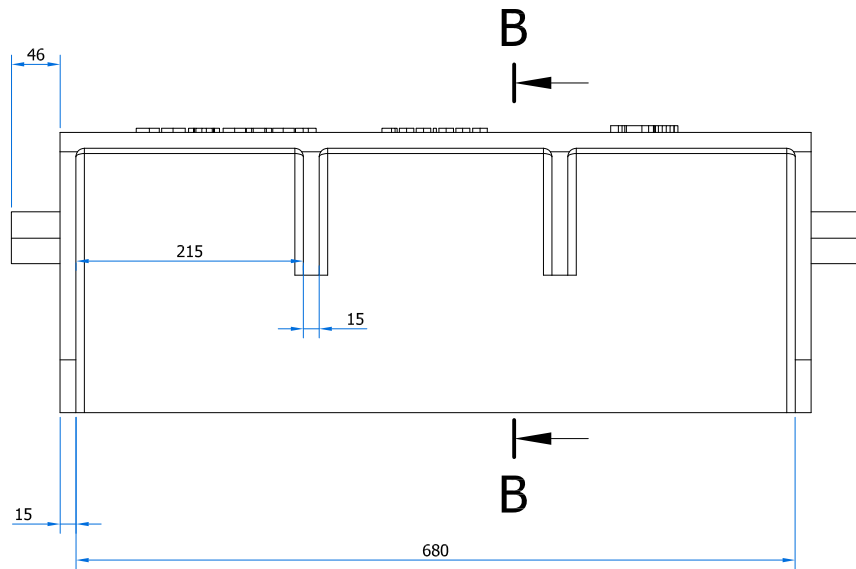
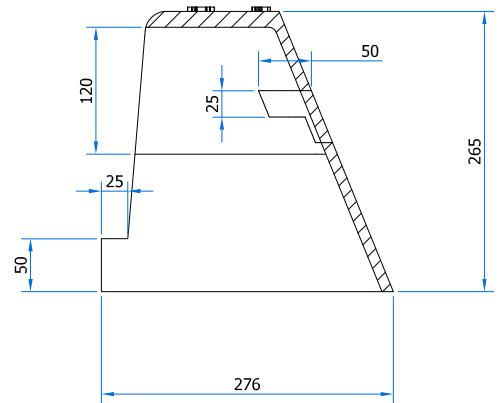


TOP VIEW




FRONT VIEW



SECTION A-A



REVISION	DATE	SIGN	ALL DIMENSIONS ARE IN MM	SCALE : N.T.S.
REV.[0] :			MATERIAL : GREY CAST IRON	
REV.[1] :			GRADE : ASTM A48 CLASS 30B	
REV.[2] :			COATING : AS REQUIRED	
REV.[3] :			LOADING :	
REV.[4] :			WEIGHT :	
DRAWN BY :	CHECKED BY :	APPROVED BY :		
 DomCast Components & Assemblies, CANADA			ITEM DESCRIPTION : CAST IRON CURB INLET OVERFLOW FOR CATCH BASINS.	DRAWING NO : 400.090