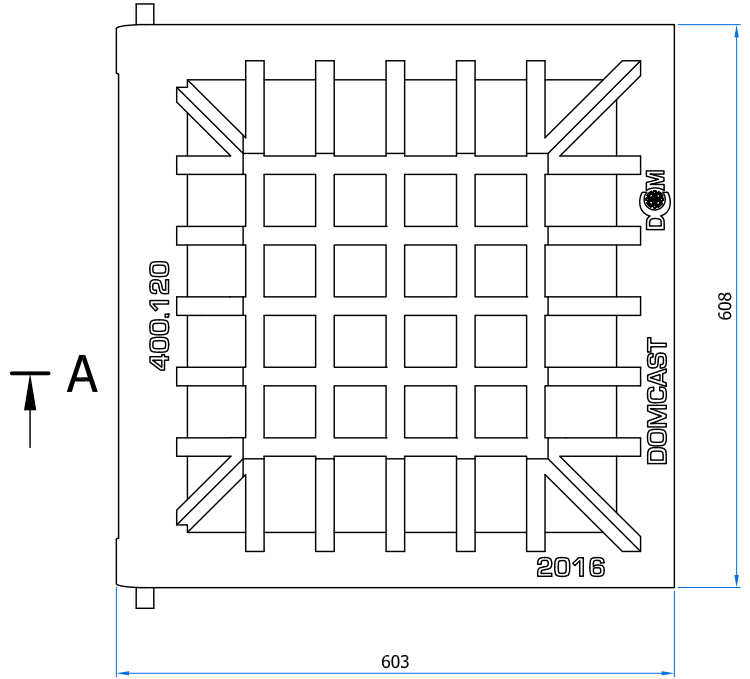
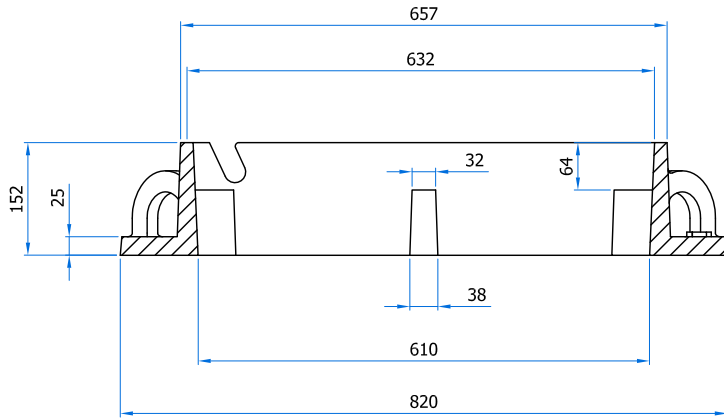


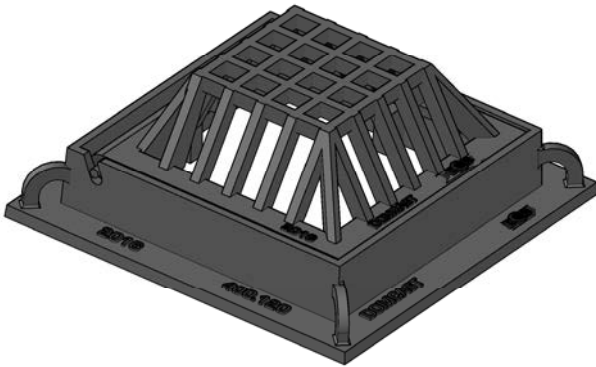
TOP VIEW OF FRAME



TOP VIEW OF GRATE



SECTION A-A



REVISION

DATE

SIGN

ALL DIMENSIONS ARE IN MM

SCALE : N.T.S.

REV.[0] :

MATERIAL : GREY CAST IRON

REV.[1] :

GRADE : ASTM A48 CLASS 30B

REV.[2] :

COATING : BLACK BITUMEN PAINTED (LEAD FREE)

REV.[3] :

LOADING :

REV.[4] :

WEIGHT :

DRAWN BY :

CHECKED BY :

APPROVED BY :



DomCast Components & Assemblies,
CANADA

ITEM DESCRIPTION :

CAST IRON, SQUARE FRAME WITH BIRD CAGE GRATE FOR
CATCH BASINS.

DRAWING NO :

400.120