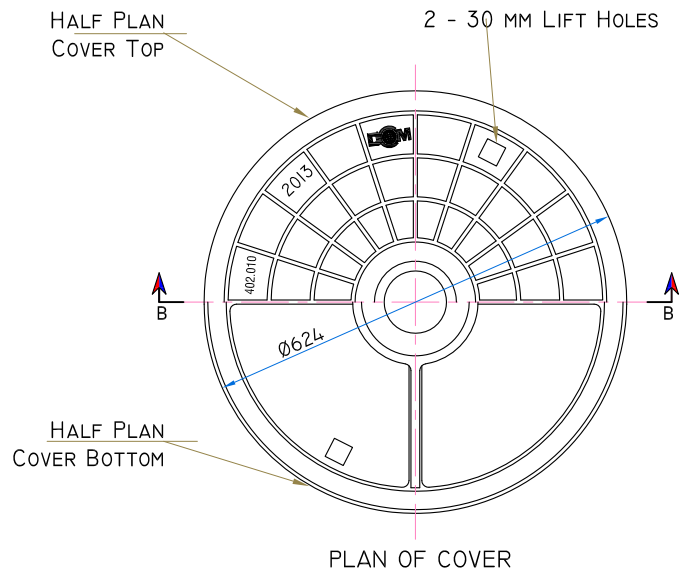
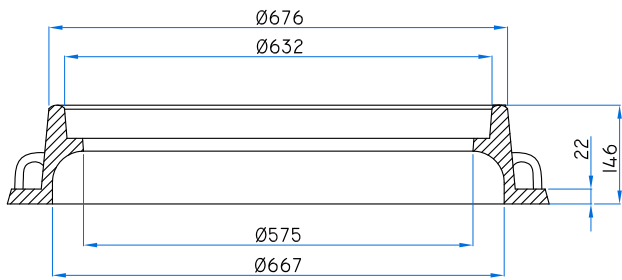


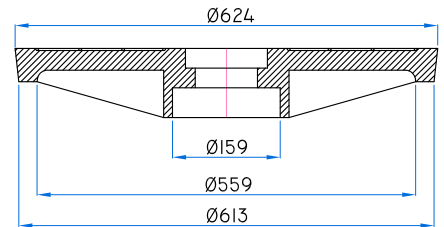
HOISTING HOOK RIB
TYP. OPSD 400.001 FRAME PLAN



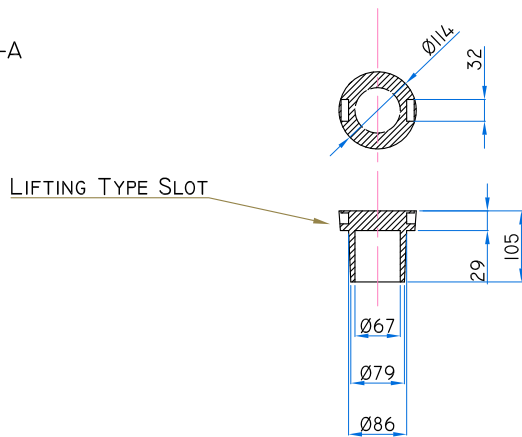
PLAN OF COVER



SECTION A-A




SECTION B-B



PLUG DETAIL



REVISION	DATE	SIGN	ALL DIMENSIONS ARE IN MM MATERIAL : GREY CAST IRON GRADE : ASTM A48 CLASS 30B COATING : BLACK BITUMEN PAINTED (LEAD FREE) LOADING :	SCALE : N.T.S.
REV.[0] :				
REV.[1] :				
REV.[2] :				
REV.[3] :				
REV.[4] :				
DRAWN BY :	CHECKED BY :	APPROVED BY :	WEIGHT :	
 DomCast Components & Assemblies, CANADA			ITEM DESCRIPTION : CAST IRON,SQUARE FRAME WITH CIRCULAR COVER FOR VALVE CHAMBERS.	DRAWING NO : OPSD 402.010