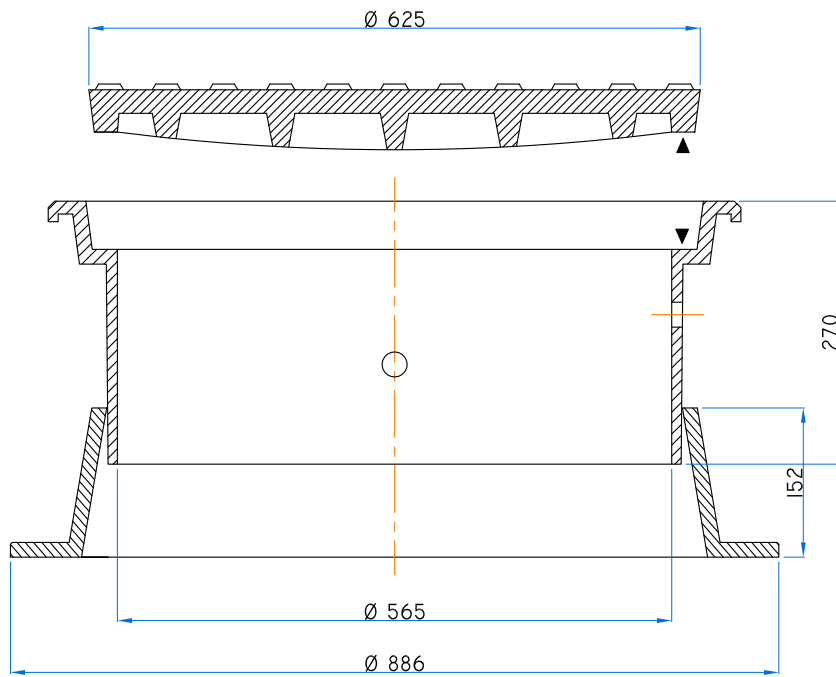


PLAN OF FRAME AND COVER



SECTION A-A



REVISION	DATE	SIGN	ALL DIMENSIONS ARE IN MM	SCALE : N.T.S.
REV.[0] :			MATERIAL : COVER & CONIC GUIDE FRAME IN GREY CAST IRON AND AUTOSTABLE FRAME IN DUCTILE IRON	
REV.[1] :			GRADE :	
REV.[2] :			COATING : AS REQUIRED	
REV.[3] :			LOADING :	
REV.[4] :			WEIGHT : 340 LBS (ESTIMATED)	
DRAWN BY :	CHECKED BY :	APPROVED BY :		



DomCast Components & Assemblies,
CANADA

ITEM DESCRIPTION :
AUTOSTABLE MANHOLE FRAME AND COVER

DRAWING NO :